

Blind Mount Drop visor for  
 Ultra Cab & Flat Top Cab  
 Fits trucks with Cab Mount Mirrors only  
 Will NOT fit Door Mount Mirrors

Remove factory visor and brackets.  
 Replacement brackets will be installed at a factory rivet location with some additional drilling required. Kit contains 6 brackets. Most trucks have outer brackets on the 9th rivet location from the center. If the truck does not have a bracket at the 9th rivet location, additional drilling is required.  
 The two center brackets have Cab type specific mounting.  
 See diagram #1 below for full details.  
 Required hole size for mounting brackets is 1/2"

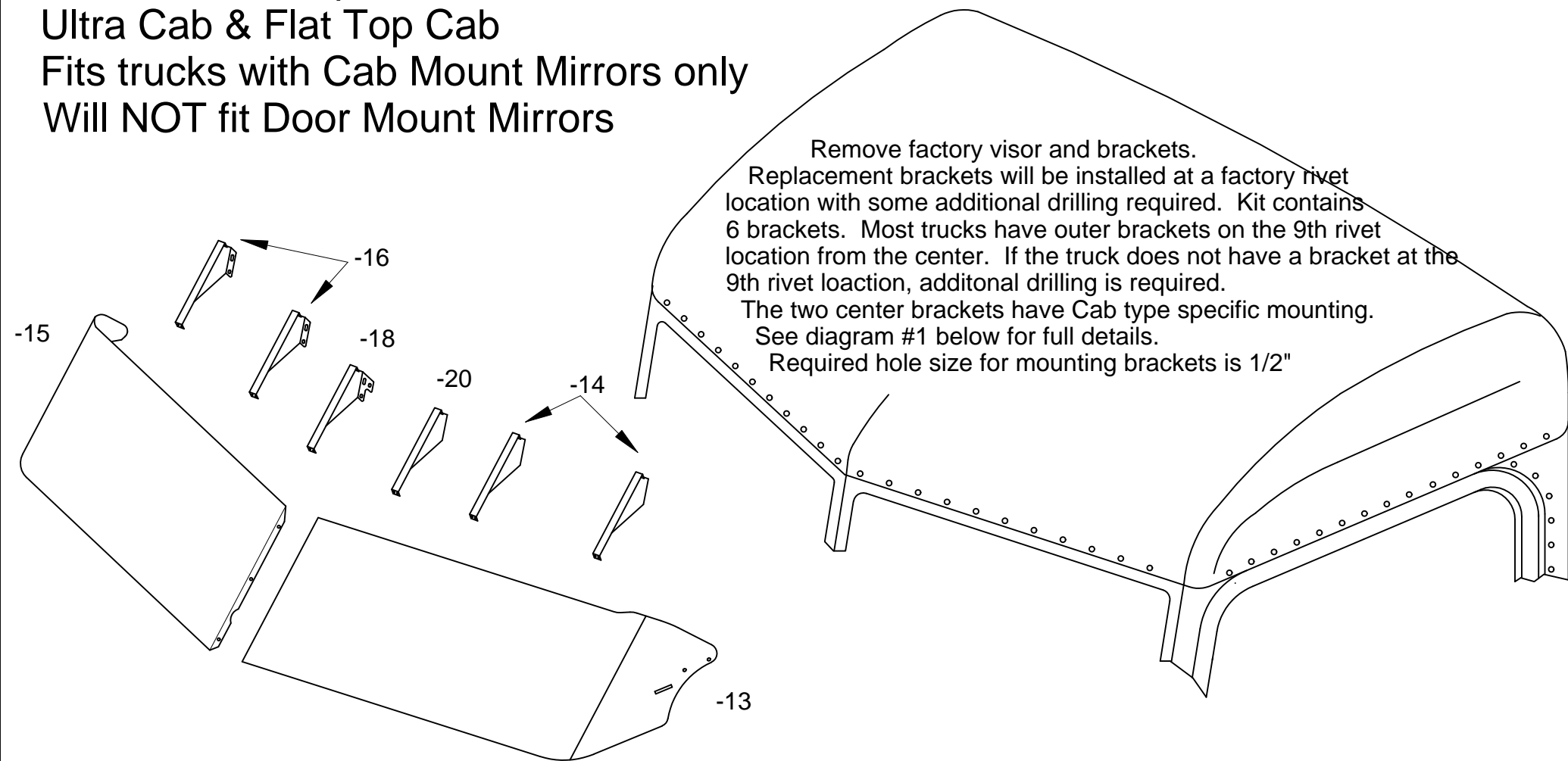


Diagram #1

-18 & -20 mounting bracket installation guide

On Ultra Cabs

- A. This is an existing hole location of the factory center bracket
- B. This is a new hole location that will need to be drilled
- C. This is an existing hole location of the factory center bracket

On Flat Top Cabs

- A. This is a new hole location that will need to be drilled
- B. This is an existing hole location of the factory center bracket
- C. This is an existing hole location of the factory center bracket

